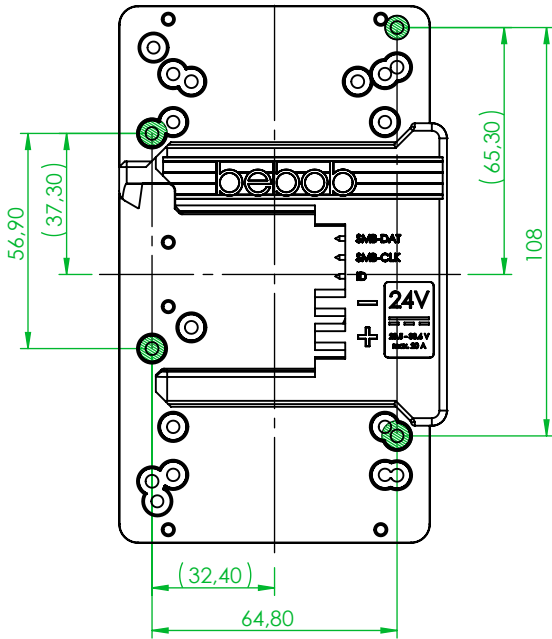
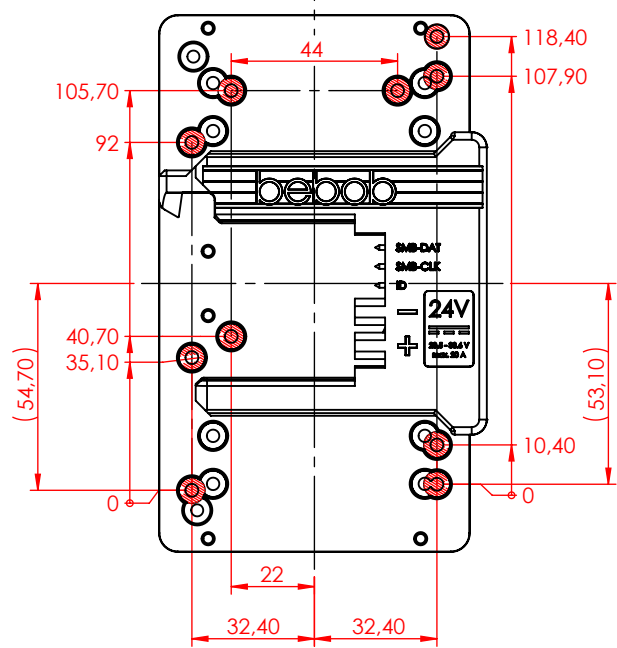


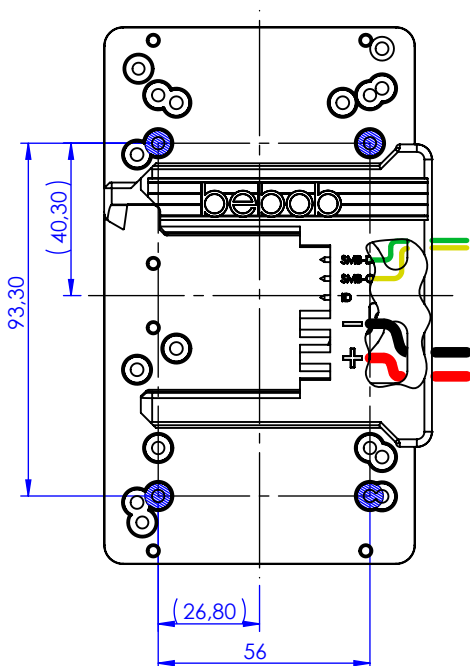
Drilling Pattern A



Drilling Pattern Additional



Drilling Pattern B



Wiring Pattern:

